

ELMARK[®]

The Brand of Electricity

LED PANELS

ELMARK IP54 [GENERAL INFORMATION »](#)



- ∴ Rated voltage: 220-240VAC
- ∴ Power: 24W; 36W; 48W; 60W
- ∴ Power supply: control gear, DC device - driver
- ∴ Light source: SMD 4014
- ∴ Colour temperature: 4000K; 6400K
- ∴ Housing: White; Aluminium frame, no change of color over time
- ∴ Diffuser: even distribution of lights, without formation of lighter or darker spots
- ∴ Colour rendering index: Ra≥80
- ∴ Beam angle: 120°
- ∴ Switch on/off: >15 000
- ∴ Average life: 30 000 hours
- ∴ Starting time: < 0.5s
- ∴ Power factor: 0.9
- ∴ Protection against dust and moisture: IP44/IP54
- ∴ Available in variant with an emergency kit
- ∴ LED panels can be dimmed using a suitable dimmable driver and remote control.

[FEATURES »](#)

- ∴ Completely replace traditional fluorescent lighting
- ∴ Safety, low voltage operation
- ∴ Suitable for mounting in suspended ceiling Armstrong type
- ∴ Emit a very pleasant and even light with very low glare factor due to the diffusion lens
- ∴ Low power consumption
- ∴ Instant light with maximum luminous flux
- ∴ Environmentally friendly - do not emit mercury and lead
- ∴ No ultraviolet and infrared rays
- ∴ Resistant to shock and vibration
- ∴ Suitable for home, offices, halls, shops, hospitals

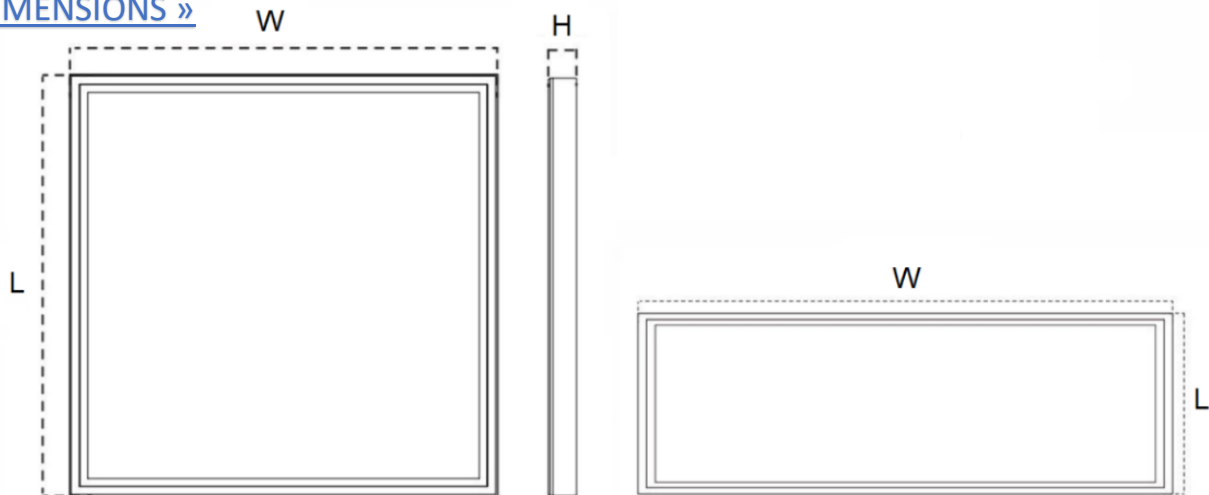


TECHNICAL SPECIFICATION SHEET

PRODUCT DETAILS »

Catalogue number	Catalogue number with Emergency kit	Additional function	Watt (W)	Whole fixture lumens (lm)	Colour temp. (K)	Colour body
92PANEL012WIP44	92PANEL012WIP54E	-	24	2400	4000	white
92PANEL013WIP54	92PANEL013WIP54E	-	36	3600	4000	white
92PANEL020WIP44	92PANEL020WIP54E	-	48	4800	4000	white
92PANEL020CWIP44	92PANEL020CWIP54E	-	48	4800	6400	white
92PANEL021WIP54	92PANEL021WIP54E	-	48	4800	4000	white
92PANEL032WIP54	92PANEL032WIP54E	-	40	4800	4000	white
92PANEL032CWIP54	92PANEL032CWIP54E	-	40	4800	6400	white
92PANEL031WIP54	-	High power	60	6000	4000	white
92PANEL031CWIP54	-	High power	60	6000	6400	white

DIMENSIONS »



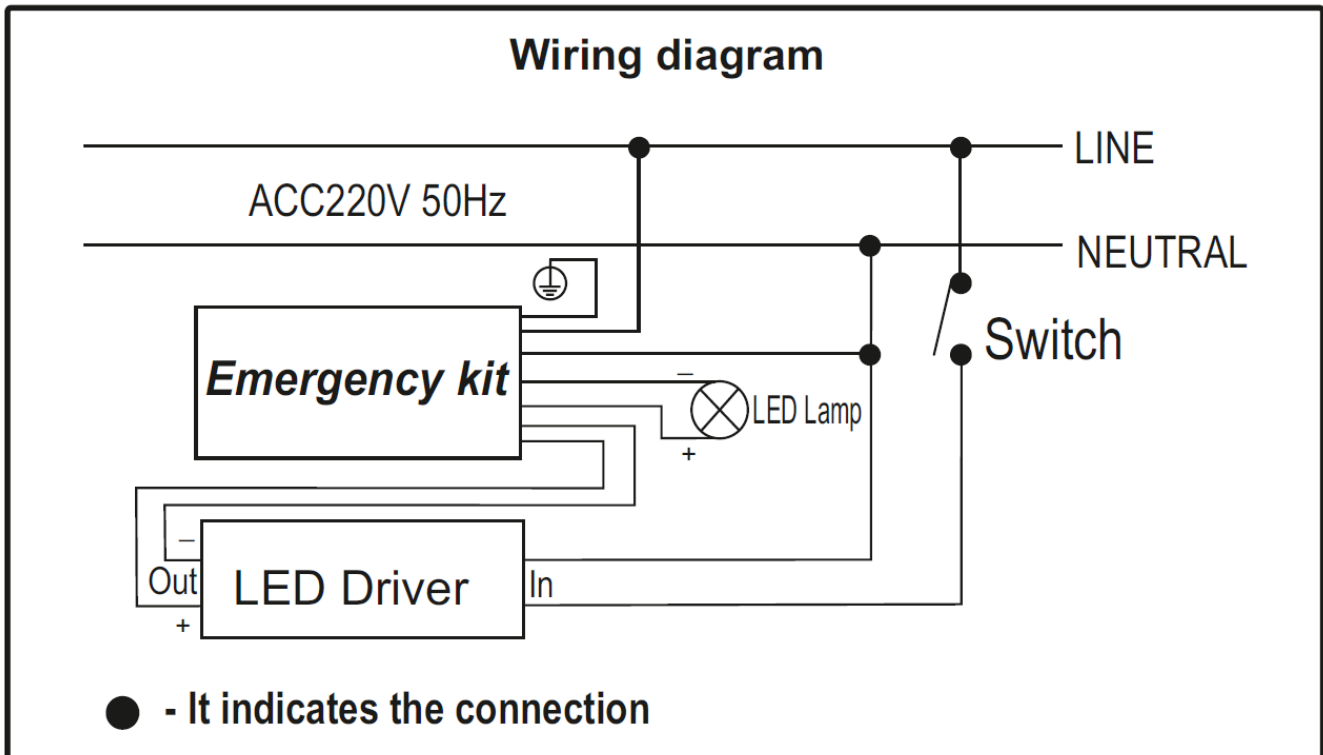
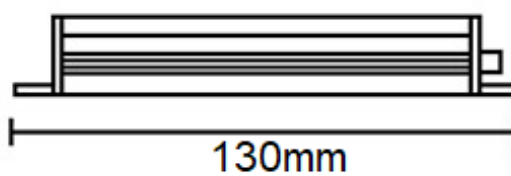
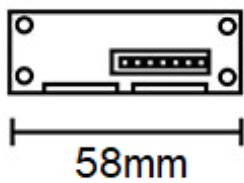
Catalogue number	Length (mm)	Width (mm)	Height (mm)
92PANEL012WIP44	295	295	11
92PANEL013WIP54	595	295	11
92PANEL020WIP44	595	595	30
92PANEL020CWIP44	595	595	30
92PANEL021WIP54	1195	295	30
92PANEL032WIP54	595	595	30
92PANEL032CWIP54	595	595	30
92PANEL031WIP54	595	595	30
92PANEL031CWIP54	595	595	30

LED EMERGENCY KIT SPECIFICATIONS »



General information »

- ∴ Voltage: AC85-265V 50Hz
- ∴ Emergency Output: 3-40W
- ∴ Emergency Time: 2hrs (120mins)
- ∴ Battery: 3.7V 2400mAh
- ∴ Emergency Switching Time: <2s
- ∴ AC Fuse: 250V 1A
- ∴ DC Fuse: 250V 5A
- ∴ Luminous Flux: >100lm
- ∴ Light Source: LED
- ∴ Working temperature: -10°C +55°C
- ∴ IP Rate: IP30



● Red = Charging ● Blue = Emergency ● Green = Power

ACCESSORIES FOR LED PANELS »



» **Panel frame** for 595/595mm ceiling mounting white

Catalogue number: **92FRAME020W**

Suitable for LED panels with height 30mm with catalogue numbers: 92PANEL020W, 92PANEL020CW, 92PANEL020WE, 92PANEL020CWE; 92PANEL031W and 92PANEL031CW

» **Panel frame** for 295/1195mm ceiling mounting white

Catalogue number: **92FRAME021W**

Suitable for LED panels with height 30mm with catalogue numbers 92PANEL021W, 92PANEL021WE

» **Panel frame** for 595/595mm ceiling mounting white

Catalogue number: **92FRAME014W**

Suitable for LED panels with height 9-11mm with catalogue numbers 92PANEL018W, 92PANEL030W, 92PANEL030CW, 92PANEL018WE, 92PANEL030WE and 92PANEL030CWE

» **Suspension wire** for suspended mounting Catalogue number: **99ACC18**

Suitable for all LED panels

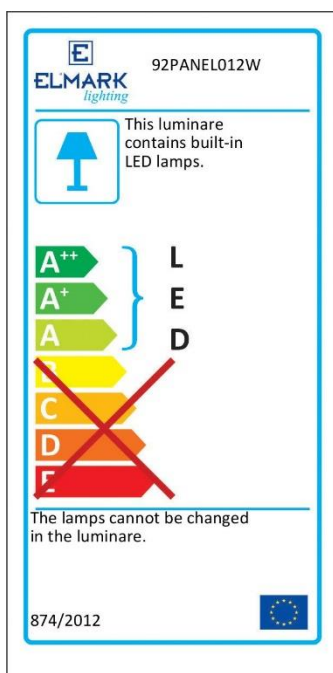
» **Clips for mounting** on plasterboard Catalogue number: **99ACC21**

Suitable for LED panels with height 9-11mm with catalogue numbers 92PANEL018W, 92PANEL030W, 92PANEL030CW, 92PANEL018WE, 92PANEL030WE and 92PANEL030CWE

» **Fasteners** for surface mounting Catalogue number: **99ACC22**

Suitable for LED panels with height 9-11mm with catalogue numbers 92PANEL018W, 92PANEL030W, 92PANEL030CW, 92PANEL018WE, 92PANEL030WE and 92PANEL030CWE

ADDITIONAL INFORMATION »



Catalogue number	Packing/Box (pcs)
92PANEL012WIP44	1/12
92PANEL013WIP54	1/6
92PANEL020WIP44	1/5
92PANEL020CWIP44	1/6
92PANEL021WIP54	1/6
92PANEL032WIP54	1/6
92PANEL032CWIP54	1/6
92PANEL031WIP54	1/6
92PANEL031CWIP54	1/6